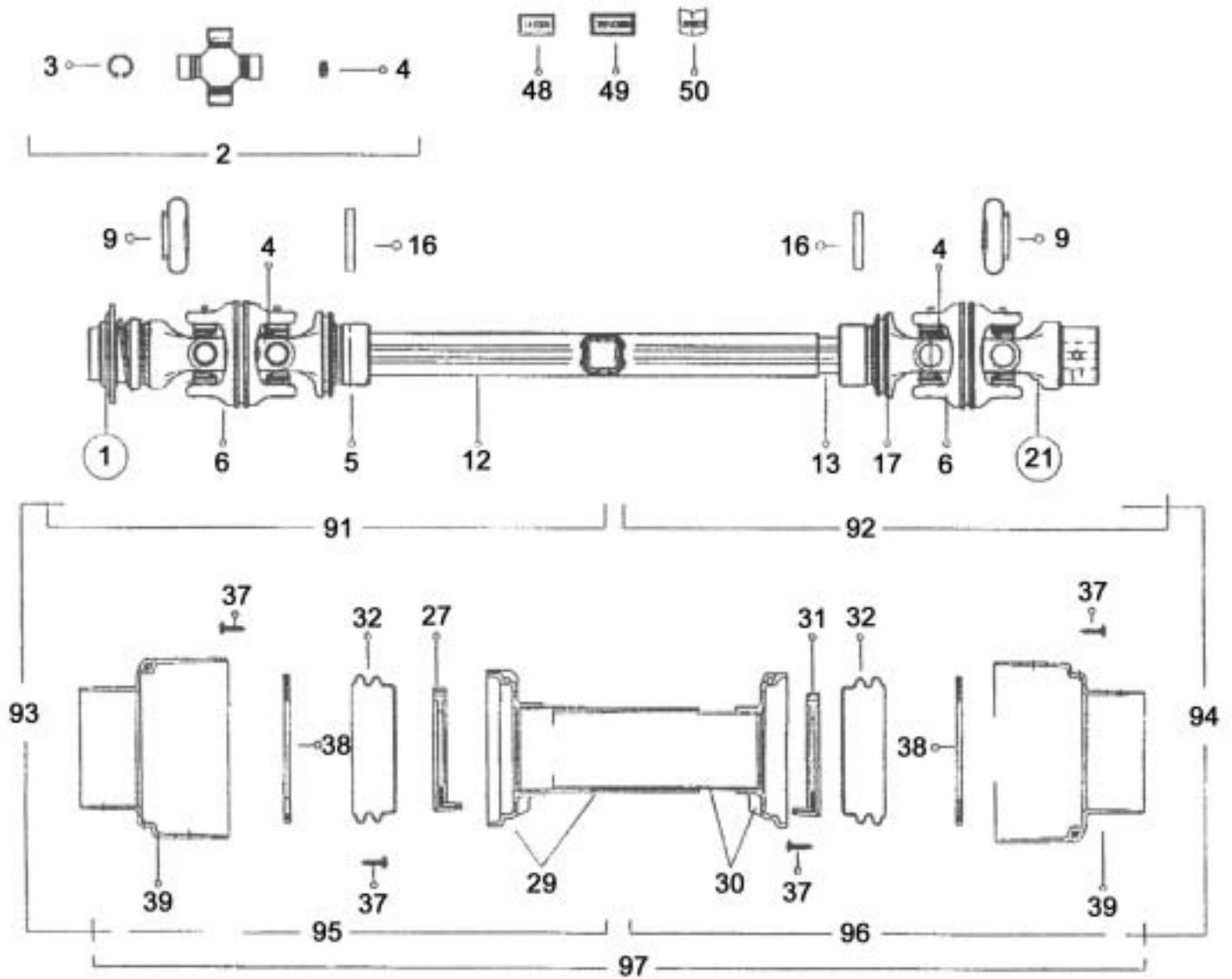


# RMB501 Dual CV Shaft Breakdown

After February 2003



①



# RMB501 Dual CV Shaft Breakdown

## After February 2003

ITEM NO.	PART NUMBER	QTY	DESCRIPTION
1.	5730C0370	1	Yoke
2.	4120C0003	4	Cross Journal Assembly
3.	338003000	16	Circlip
4.	348017000	6	Grease Nipple
5.	2080C6858	1	Yoke
6.	2080C0054	2	Intermediate Yoke
9.	246000101	2	Sleeve
12.	2253F0350	1	Outer Cardan Tube
13.	2454L0360	1	Inner Cardan Tube
16.	341038000R10	2	Flexible Pin
17.	2080C6859	1	Yoke
21.	2080C8551	1	Yoke
27.	2550C0001R02	1	Ring Nut
29.	5661C0333	1	Outer Cone
30.	5662C0333	1	Inner Cone
31.	2550C0002R02	1	Ring
32.	2191E0002	2	Outer Cone
37.	310001431	18	Screw
38.	2550C0015R02	2	Ring
39.	2190D0105	2	Shield
48.	399141000	1	Label
49.	399143000	1	Label
50.	399USA053	1	Sft Manual
51.	435000302R	1	Spann Kit "RT" D.55.1 1-3/8"
91.	DS2R048E0X01	1	Outer Half Shaft
92.	DS2R048IOX01	1	Inner Half Shaft
93.	DS2R048ESX01	1	Outer Half Shaft
94.	DSR048ISX01	1	Inner Half Shaft
95.	4ES204801US	1	Outer Shield
96.	4IS204801US	1	Inner Shield
97.	4DS204801US	1	Complete Shield