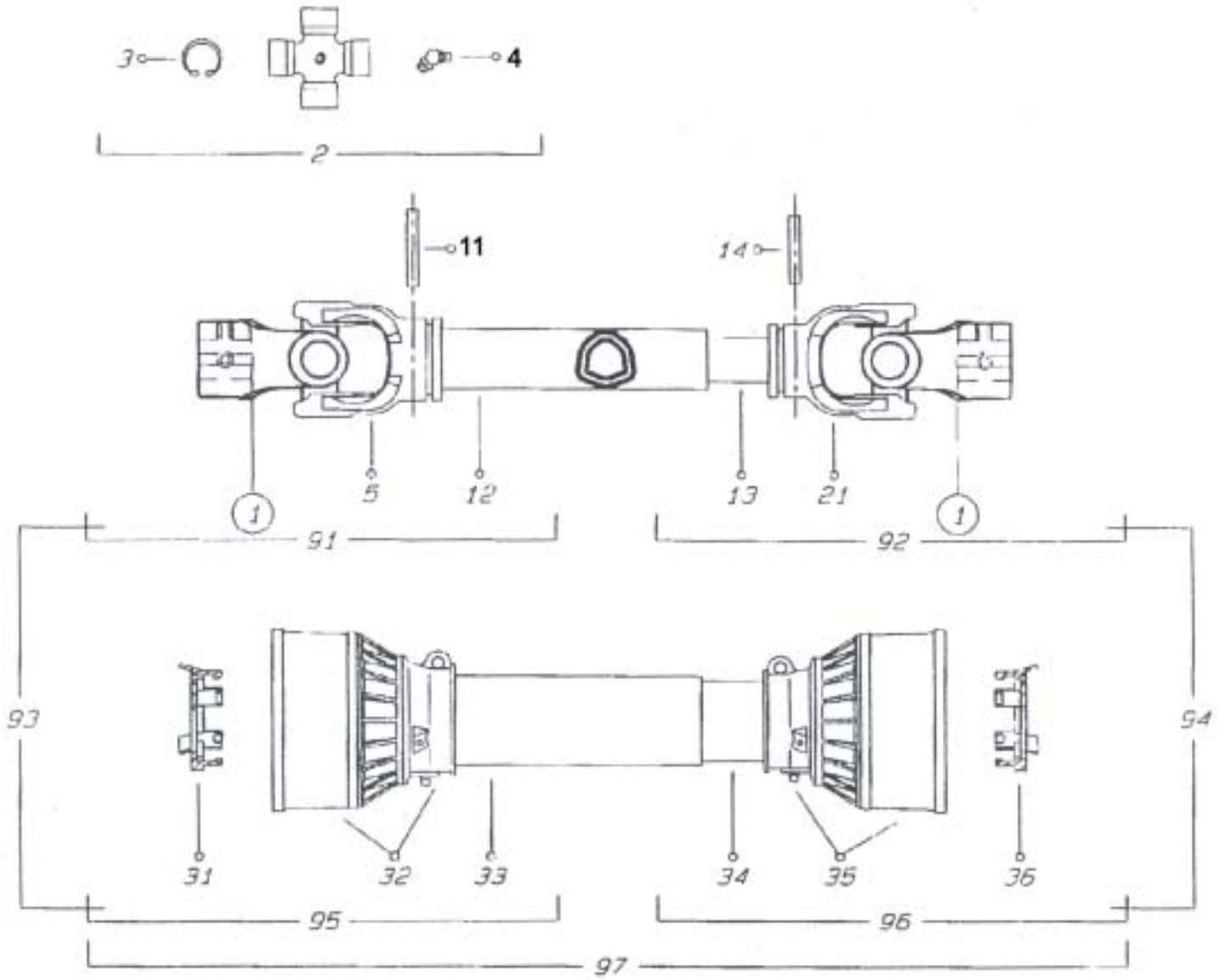


RMB502 CV Shaft Breakdown



RMB502 CV Shaft Breakdown

ITEM NO.	PART NUMBER	QTY	DESCRIPTION
1.	212018551	2	Yoke
2.	41201	2	Cross Journal Assembly
3.	338003000	8	Circlip
4.	348004000	2	Grease Nipple
5.	204016851	1	Outer Tube Yoke
11.	341036000	1	Flexible Pin
12.	225020393	1	CM Cardan Tube
13.	225010393	1	CM Cardan Tube
14.	341037000	1	Flexible Pin
21.	204016852	1	Innter Tube Yoke
31.	255010005	1	Shield Support 1
32.	517010030	1	O. Cone Sets F1-2
33.	236660344	1	CM. Safety Tube
34.	236650344	1	CM. Safety Tube
35.	517010020	1	I. Cone Sets F1-2
36.	255010006	1	Shield Support 1
91.	7E1105100602	1	Half Shaft
92.	7I1105100602	1	Half Shaft
93.	7E11051FF602	1	Half Shaft
94.	7I11051FF602	1	Half Shaft
95.	5FE1051FF	1	Safety Shield
96.	5FI1051FF	1	Safety Shield
97.	5F01051FF	1	Safety Shield